

# HabaCHAIN<sup>®</sup> Multiflex 1701T (Radius)

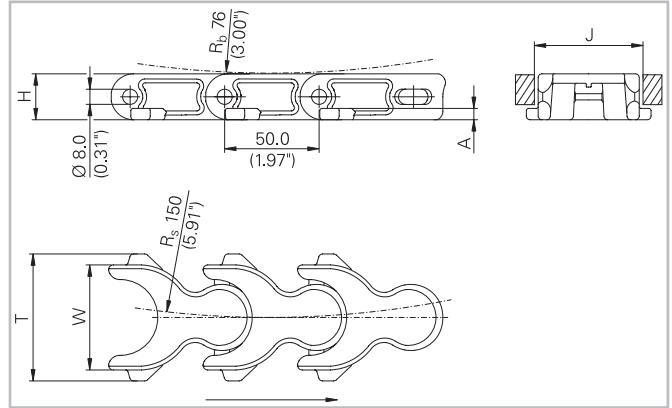


Your Source For Habasit  
Belting And Chain

www.StilesEnterprises.com • 1-800-325-4232

## Description

Multiflex 1701T is a tabbed heavy duty 1.97" (50.00 mm) pitch radius and straight running multiflex conveyor plastic chain. Applications include alpine systems (inline accumulation) and case conveyors.



## Chain Data

Habasit code	Width W		Weight		Nominal tensile strength F <sub>N</sub>		A		H		J (straight)		J (curve)		T		Material
	mm	inch	kg/m	lb/ft	N	lbf	mm	inch	mm	inch	mm	inch	mm	inch	mm	inch	
C1701K0219LFTA	55.6	2.19	1.55	1.04	4000	900	6.1	0.24	24.3	0.96	62.0	2.44	59.6	2.35	66.8	2.63	LF

Pin material: stainless steel

- Standard packaging: 3.048 m = 10ft
- The weight specification is indicative
- Other materials on request

## Related products

- Solid Sprockets - Series 1700

For further information and availability please contact your local Habasit partner.

## Product liability, application considerations

If the proper selection and application of Habasit products are not recommended by an authorized Habasit sales specialist, the selection and application of Habasit products, including the related area of product safety, are the responsibility of the customer.

All indications / information are recommendations and believed to be reliable, but no representations, guarantees, or warranties of any kind are made as to their accuracy or suitability for particular applications. The data provided herein are based on laboratory work with small-scale test equipment, running at standard conditions, and do not necessarily match product performance in industrial use. New knowledge and experiences can lead to modifications and changes within a short time without prior notice.

BECAUSE CONDITIONS OF USE ARE OUTSIDE OF HABASIT'S AND ITS AFFILIATED COMPANIES CONTROL, WE CANNOT ASSUME ANY LIABILITY CONCERNING THE SUITABILITY AND PROCESS ABILITY OF THE PRODUCTS MENTIONED HEREIN. THIS ALSO APPLIES TO PROCESS RESULTS / OUTPUT / MANUFACTURING GOODS AS WELL AS TO POSSIBLE DEFECTS, DAMAGES, CONSEQUENTIAL DAMAGES, AND FURTHER-REACHING CONSEQUENCES.